



D-92WPB

Weather Proof Box

D-92WPB Weather Proof Box is for application of manual call point outdoor installation to provide weather proofing. And the weather proof box is able to protect the manual call point from unwanted activation. Furthermore, it is also an effective guard against physical damage.

Internal space is designed to suit most types of European style MCP.

Features

- IP65 cover offers fully protection of manual call point
- Meets the requirement of '2 step operation'
- Clear and durable PC cover
- Surface mounting enables the installation easily
- 60mm hole distance and enough internal space to suit most European style MCP
- Reserved place for additional mirco-switch, battery, buzzer, etc.

Dimension

Fig.1 shows the size of each part.

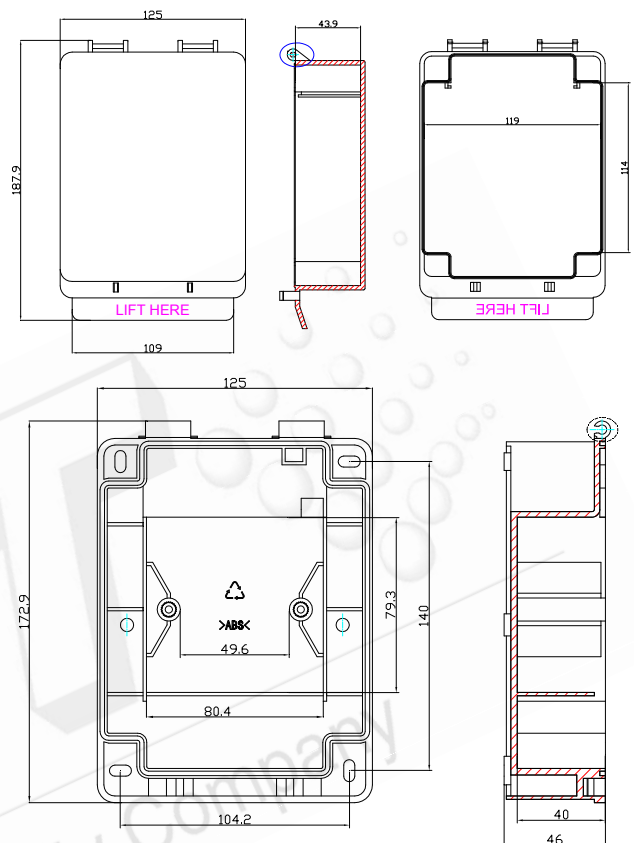


Fig.1

Application

D-92WPB Weather Proof Box is suitable for DI-9204, DC-9204, DI-M9204, DC-M9204 and other MCP from GST.

D-92WPB is surface mount type, can be installed on any solid wall or support.

Mount the weather proof box on the wall using long screws. Install the manual call point into the box as per the MCP installation instruction. Fig. 2 shows the installation procedure (using DI-9204 as the sample).

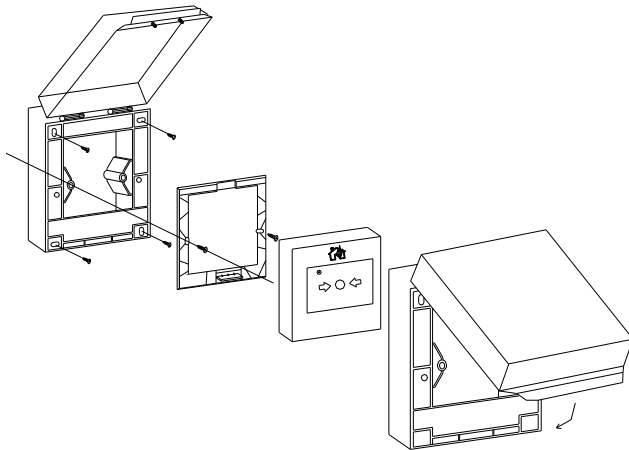


Fig.2

Specification

Ingress Protection Rating	IP65
Operating Temperature	-20°C~ +55°C
Relative Humidity	≤95%, non condensing
Material	PC & ABS
Dimension (L×W×H)	188mm×125mm×86mm

Compatible Devices

Model	Name	Remark
DI-9204	Digital Manual Call Point	Order separately
DC-M9204	Innovative Conventional Manual Call Point	Order separately
DI-M9204	Digital Manual Call Point	Order separately
DC-M9204	Innovative Conventional Manual Call Point	Order separately