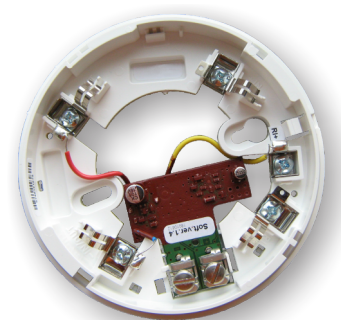


SensoIRIS MC-D Conventional Detectors Module

EN54-18

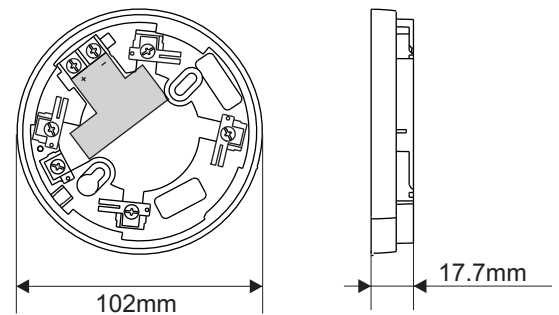
Description

SensoIRIS MC-D is an addressable base for using with conventional detectors SensoMAG. The module is designed for application in addressable fire alarm systems, supporting TTE communication protocol. SensoIRIS MC-D is powered on from the fire panel and can be controlled via the communication protocol.



Technical and Environmental Specifications

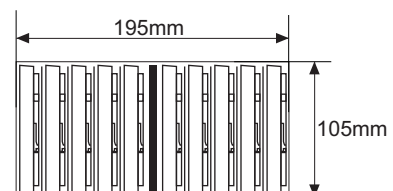
Operating Voltage Range	15 - 32VDC
Max. current consumption	400 μ A@27VDC
Nom. current consumption	250 μ A@27VDC
Current consumption in Fire mode	5.5mA
Wire Gauge for terminals	0.4mm ² - 2.0mm ²
Operating temperature	-10°C to +60°C
Relative humidity resistance	(93 \pm 3)% @ 40°C
Weight	~55g
Material (plastic), color.	ABS, White
Dimensions	102 x 17.7mm



1293-CPD-0259

Packing Information

• **Master box** - 10 units SensoIRIS MC-D, dimensions 195 x 105 x 105 mm. Additional separators are included in the master box for higher security during transportation.



Compatible Product Range

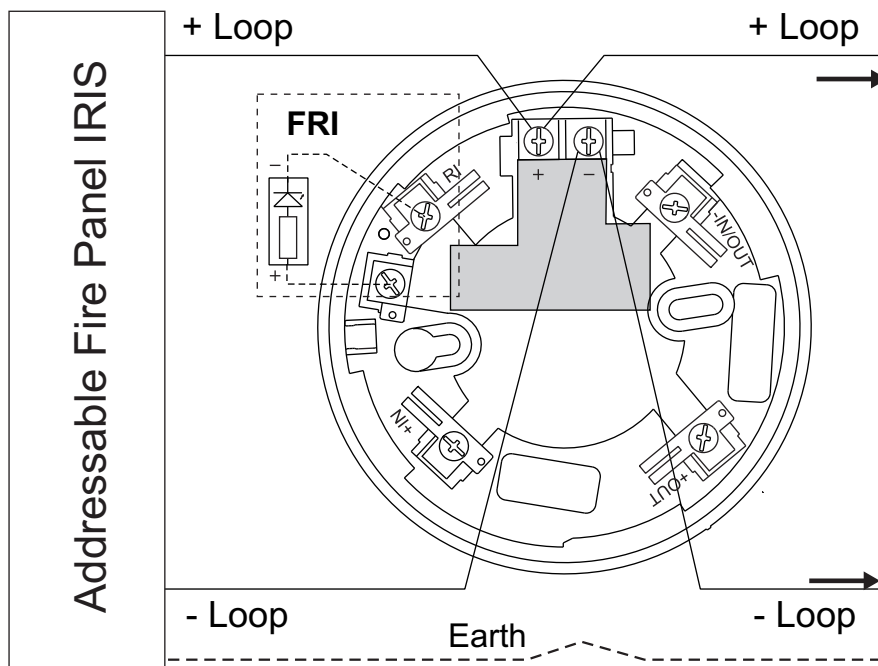
- **IRIS** - Addressable Fire Panel
- **IRIS TTE Loop** - Loop Expander for one loop
- **SensoIRIS Programmer** - Address Programming Tool
- **SensoMAG Conventional Detectors** - SensoMAG T10, R20, S30, M40.
- **SensoMAG FRL-1** - Remote Fire Indicator

Contact Information

SensoIRIS MC-D Conventional Detectors Module

EN54-18

● Connection Diagram



● Contact Information