

SensoIRIS MCP150 Manual Call Point

EN54-11

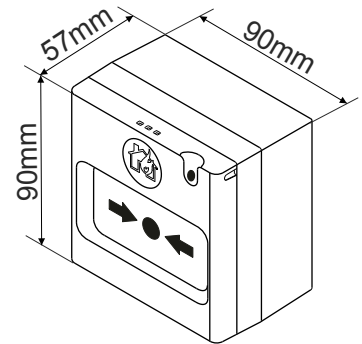
Description

SensoIRIS MCP 150, is a manual call point with built-in isolator module, designed for installing in addressable fire alarm systems supporting TTE communication protocol. The detector is powered on from the panel and can be controlled via the communication protocol.



Technical and Environmental Specifications

Operating Voltage Range	15 - 32VDC
Consumption without communication (max)	125µA@27VDC
Consumption with communication	160µA@27VDC
Consumption in Fire mode	3mA
Type of the working element	resettable (flexible)
Type, according EN54-11	A
Wire Gauge for terminals	0.4mm ² - 2.0mm ²
Operating temperature	-10°C to +60°C
Relative humidity resistance	(93 ± 3)% @ 40°C
Protection	IP40
Weight	~175g
Dimensions	90x90x57mm
Material (plastic), color	ABS, red



1293-CPD-0257

Packing Information

- **Packing box** - Kit of 1 unit SensoIRIS MCP150 and 1 unit special tool for test and reset; dimensions 96x96x65 mm.
- **Carton box** - 48 kits of SensoMAG MCP50, dimensions 486x295x196 mm

Compatible Product Range

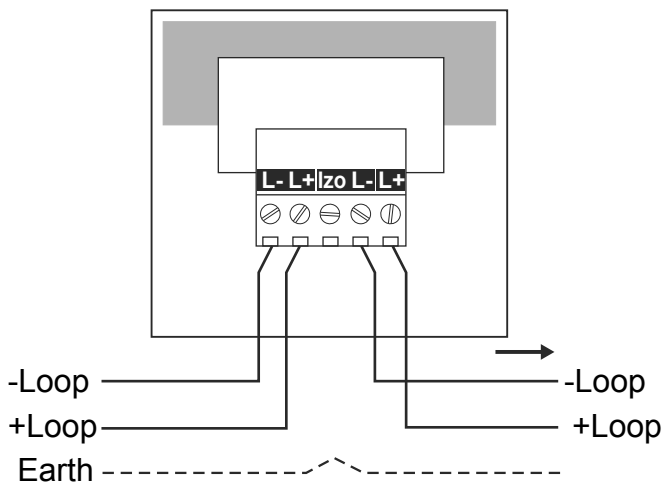
- **IRIS** - Addressable Fire Panel
- **IRIS TTE Loop** - Loop Expander for one loop
- **SensoIRIS Programmer** - Address Programming Tool
- **Protective plastic cover** - Option for additional protection of the working element

Contact Information:

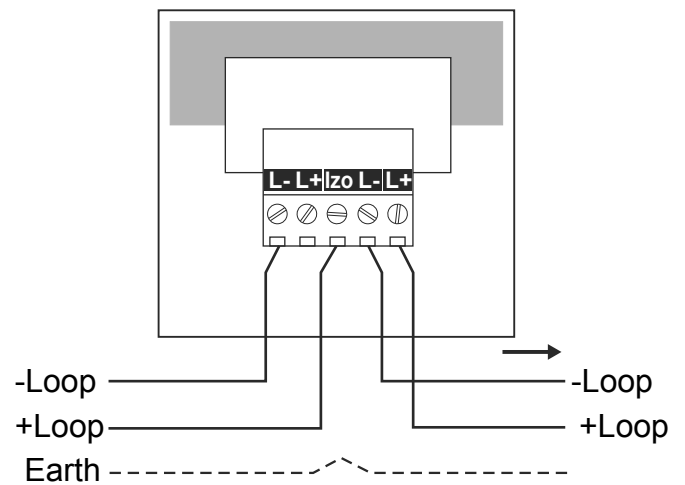
SensoIRIS MCP150 Manual Call Point

EN54-11

● Connection Diagrams



Without built-in isolator module



With built-in isolator module

● Contact Information: