

SensoIRIS MOUT-240 Relay Output Module 240VAC

EN54-18

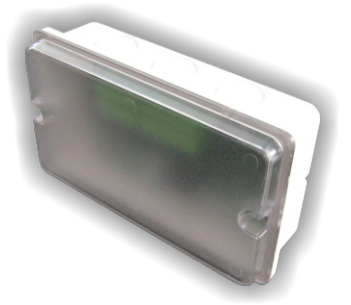
Description

SensoIRIS MOUT-240 is an relay output control module designed for application in addressable fire alarm systems, supporting TTE communication protocol. The module provides interface for 240V and it is suitable for control of 240VAC voltage circuits.

SensoIRIS MOUT-240 is powered on from the fire panel and can be controlled via the communication protocol.

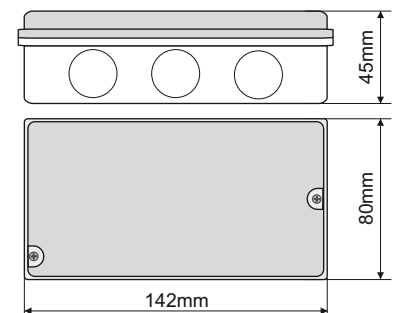
The module is mounted in a separate small plastic box suitable for wall mounting, with transparent cover for visual inspection.

SensoIRIS MOUT-240 is designed according to the requirements of EN54-18.



Technical and Environmental Specifications

Operating voltage	15 ÷ 32 VDC
Nominal consumption during communication	220µA
Current consumption in STAND-BY mode	175µA@27VDC
Current consumption with LED ON	4mA
Relay ratings	5A/ 250VAC; 5A/ 30VDC
Max. cross-section of the cable	2.5mm ²
Operating temperature	-10°C to +60°C
Relative humidity resistance	(93 ± 3)% @ 40°C
Protection	IP40
Weight	~230g
Material (plastic)	ABS
Color	White



Packing Information

- **Single packing** - 1 unit SensoIRIS MOUT-240, packed in ESD protected envelope.
- **Carton packing box** - 40 units SensoIRIS MOUT-240, dimensions 496 x 305 x 206 mm.

Compatible Product Range

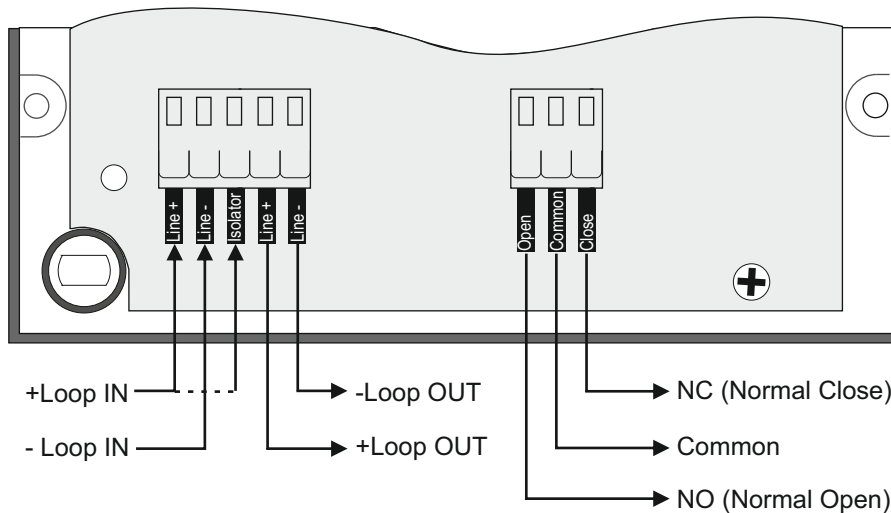
- **IRIS** - Addressable Fire Panel
- **IRIS TTE Loop** - Loop Expander for one loop
- **SensoIRIS Programmer** - Address Programming Tool

Contact Information

SensoIRIS MOUT-240 Relay Output Module 240VAC

EN54-18

● Connection Diagram



Description of the connection diagram:

-Loop IN - Connect the negative wire of the input communication line, not depend on using the internal isolator.

+Loop IN - Connect the positive wire of the input communication line, in cases when the internal isolator module is not used.

+Loop IN/ with isolator - Connect the positive wire of the input communication line, in cases when the internal isolator module is used.

-Loop OUT - Connect the negative wire of the output communication line.

+Loop OUT - Connect the positive wire of the output communication line.

NC (Normal Close) - Normal Close relay contact

NO (Normal Open) - Normal Open relay contact

Common - Common ground

● Contact Information