

SensoIRIS S130 IS Optical-Smoke Fire Alarm Detector



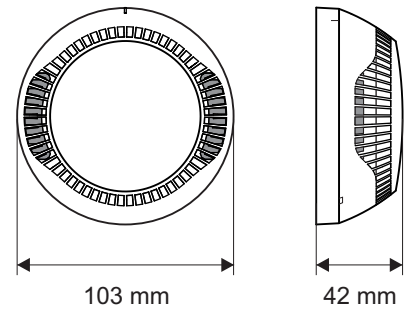
Description

SensoIRIS S130 IS, is an addressable optical-smoke detector with build-in isolator module, designed for installing in addressable fire alarm systems supporting TTE communication protocol.
The detector is powered on from the panel and can be controlled via the communication protocol.



Technical and Environmental Specifications

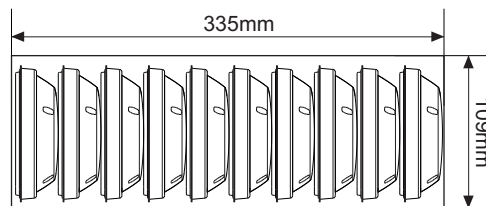
Operating Voltage Range	15 - 30VDC (Nom. 27VDC)
Consumption in quiescent state, no communication: . . .	< 190µA@27VDC
Consumption in quiescent state, with communication: . .	< 310µA@27VDC
Consumption in alarm state, with communication	6.5mA
Sensitivity, selectable from control panel.	High/ Normal/ Middle/ Low
Protected area (in accordance with EN54-7)	up 120m ²
Installation height (in accordance with EN54-7)	up 16m
Output in alarm state at terminal RI (terminals 4/ 1) . . .	7.5 mA (max)/ 7.5V
Wire Gauge for terminals	0.4mm ² - 2.0mm ²
Operating temperature	-10°C to +60°C
Relative humidity resistance	(93 ± 3)% @ 40°C
Protection	IP30
Weight (including base)	~125g
Dimensions (including base)	103x42mm



CE
0832-CPD-2200

Packing Information

• **Master box** - 10 units SensoIRIS S130 IS, dimensions 335 x 109 x 109 mm, without base.
All detectors are protected with a plastic cap.



Compatible Product Range

- **IRIS** - Addressable Fire Panel
- **IRIS TTE Loop** - Loop Expander for one loop
- **SensoIRIS FRI-1** - Remote Fire Indicator
- **SensoIRIS B124** - Standard Base
- **Deep Base** - Accessory for mounting on rough surfaces, outdoor pipelines, etc.
- **SensoIRIS Programmer** - Address Programming Tool

Contact Information